

Total Coil Disinfection Product Sheet

Product Family: Total Coil Disinfection
Model: TCD18HO, TCD24HO, TCD36HO, TCD48HO, TCD64HO
Description: Commercial Coil UVC Disinfection

Gibbons Ultraviolet Solutions
Total Coil Disinfection

w: www.gibbonsgroup.co.uk **e:** info@gibbonsgroup.co.uk **t:** 01621 868 138
Copyright © 2018 Gibbons Engineering Group Ltd.



Total Coil Disinfection



SYSTEM INFORMATION:

Input Voltage: 120-277 V AC Input
Frequency: 50/60 Hz Operating
Temperature: 32-175°F

FEATURES:

Photon Concentrator
Universal Input Voltage (100-277 V AC)
Single-ended UV Lamp 4 Pin
Easy Plug & Play Install
Waterproof UV Lamp Boot
High Output UVC Systems

APPLICATION:

HVAC Cooling Coil and Drain Pan
Disinfection

ENERGY FACTS:

HVAC uses 50% of building's energy
Dirty coils use up to 25% more energy
Total Coil Disinfection Improves:
Heat transfer Airflow
Compressor run time Operational
efficiency Thermal comfort Decreased
fan use

CONTENTS:

Total Coil Disinfection:
Photoniser
Photon Concentrator
Ballast
Anodised Aluminium Framing
NEMA 4 Enclosure Door Safety Switch
Viewport (Optional)
UV Warning Signage

TCD64HO 3X2 Array System Rack-mounted on Cooling Coil

- **Energy Savings** – restore heat transfer and airflow across the coil
- **Improve Indoor Air Quality** – remove bio-film at source
- **Easy Installation** – simple plug & play
- **Photon Concentrator** – focuses up to 85% of UV energy on the coil
- **Waterproof Lamp Boot** – seals and protects contacts from moisture
- **GSA Building Compliant** – UVC coil treatment is required in GSA buildings
- **2012 ASHRAE Handbook Compliant** – follows guidelines for UV systems

Total Coil Disinfection

RE-ORDER INFORMATION:

Replacement UV Photoniser TCD18HO:
TCD24HO: TCD36HO: TCD48HO:
TCD64HO:

SPECIFICATIONS:

TCD36HO (High Output) L x W x H:
33.56in x 1.20in v 3.35in

TCD48HO (High Output) L x W x H:
45.57in x 1.20in v 3.35in

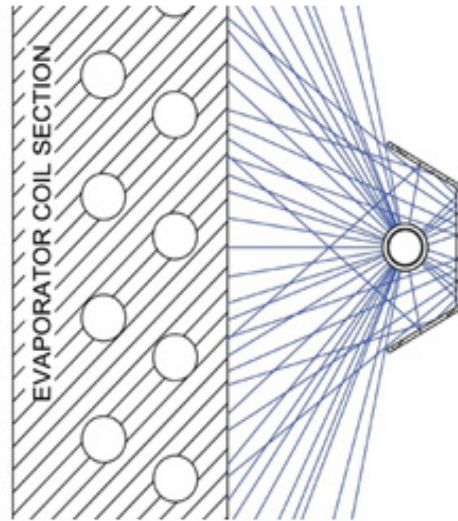
TCD64HO (High Output) L x W x H:
61.55in x 1.20in v 3.35in

WARRANTY:

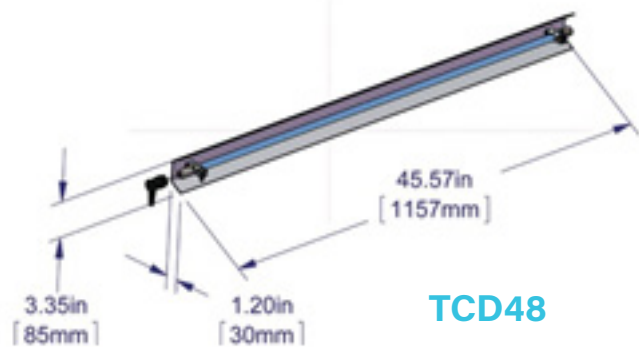
GUS unit: Lifetime
Ballast: 10 years
UV Photoniser: 18k hours of operation

PRODUCT CERTIFICATIONS:

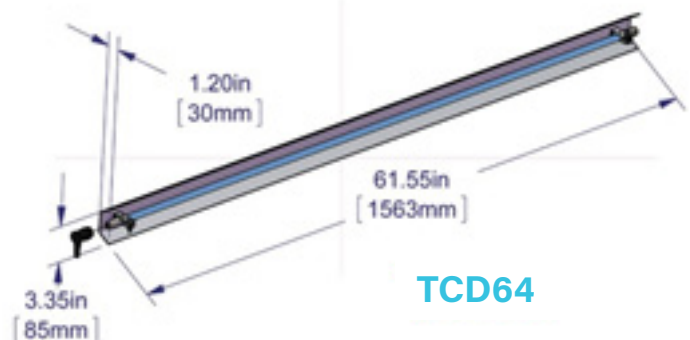
CE
RoHS



TCD36



TCD48



TCD64

Gibbons Ultraviolet Solutions
Total Coil Disinfection

w: www.gibbonsgroup.co.uk **e:** info@gibbonsgroup.co.uk **t:** 01621 868 138
Copyright © 2018 Gibbons Engineering Group Ltd.

